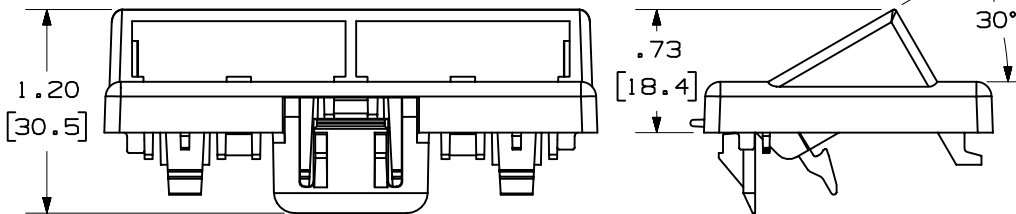
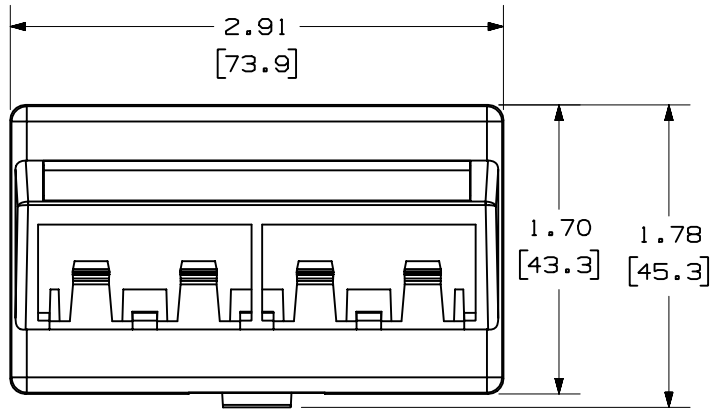
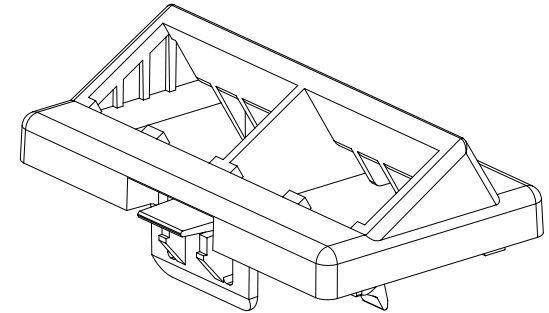


THIS COPY IS PROVIDED ON A RESTRICTED BASIS AND IS NOT TO BE USED IN ANY WAY DETRIMENTAL TO THE INTERESTS OF PANDUIT CORP.



PANDUIT P/N	WEIGHT
CFFPLA4**	.28 LB/10 PCS (128.3 g/10 PCS)

- NOTES:
- SEE CURRENT CATALOG FOR ADDITIONAL PART NUMBER SUFFIXES TO INDICATE COLOR AND OR PACKAGE QUANTITY.
 - SEE CATALOG FOR COMPLETE LIST OF PARTS APPLICABLE FOR USE WITH THIS PART.
 - DIMENSIONS IN PARENTHESES ARE IN METRIC.
 - FACEPLATE ACCEPTS 4 MINI-COM MODULES.
 - FACEPLATE COMES WITH LABEL AND LABEL COVER.
 - FACEPLATE SNAPS INTO STANDARD FURNITURE OPENING. (1.375 X 2.710)



MODEL FILENAME	M01327BD_CFFPLA4_01.PRT	SIZE	A
DRAWING FILENAME	M01327BD_DS_01A.PRT		

MINI-COM™ 4 POSITION ANGLED
MODULAR FURNITURE FACEPLATE WITH LABEL
CUSTOMER DRAWING

PANDUIT ® CORP. TINLEY PARK, IL 60477	T.I. NUMBER	N/A
	PRODUCT SPEC	N/A
THIRD ANGLE PROJECTION ALL DIMENSIONS ARE GIVEN IN INCHES, UNLESS OTHERWISE SPECIFIED. DIMENSIONAL TOLERANCES ARE: (.X) ±.03 (.XXX) ±.005 (.XX) ±.01 ANGLES ± 1°	WORK INSTRUCTION	N/A
	SCALE	NONE
DRAWN BY JsP	MATERIAL:	PART NO. CFFPLA4**
DATE 2-14-02	ABS	DRAWING NO. 01327-02
CHK'D		

REV	DATE	BY	CHK	DESCRIPTION	ECN	R	CUST	SUP	OTH
R	2-14-02	JsP		RELEASED TO PRODUCTION					